

[54] TUBING CLIP
 [75] Inventors: Arch W. Van Meter, Jr., Barrington, Ill.; Roger W. Tetzlaff, Somerville, Ala.
 [73] Assignee: Ryder International Corporation, Arab, Ala.
 [**] Term: 14 Years
 [21] Appl. No.: 944,871
 [22] Filed: Sep. 22, 1978
 [51] Int. Cl. D8-08
 [52] U.S. Cl. D8/396; D8/395; D24/27
 [58] Field of Search 248/73, 74 A, 201; D24/27; D8/382, 394, 396, 395; 24/255 R, 255 BS, 257, 73 SA; 85/5 R; 128/133

2,171,925 9/1939 Fitts 85/5 R
 3,012,745 12/1961 Donovan 248/71
 3,126,184 3/1964 Kropp 248/73
 3,154,281 10/1964 Frank 248/201
 3,213,500 10/1965 Thompson 24/73 SA
 3,259,347 7/1966 Yates 248/73
 3,501,117 3/1970 Soltysik 248/71
 3,905,570 9/1975 Nieuwveld 248/71
 3,944,177 3/1976 Yoda 248/74 A
 4,023,758 5/1977 Yuda 248/73
 4,131,258 12/1978 Okuda et al. 248/73

FOREIGN PATENT DOCUMENTS

2725090 6/1977 Fed. Rep. of Germany 248/71 X

Primary Examiner—Bernard Ansher
 Attorney, Agent, or Firm—Richard R. Trexler

[57] CLAIM

The ornamental design for a tubing clip, substantially as shown and described.

DESCRIPTION

FIG. 1 is a perspective view of our tubing clip with the mounting portion facing downwardly;
 FIG. 2 is a front elevational view of our tubing clip as shown in FIG. 1;
 FIG. 3 is a side elevational view of the clip of FIG. 2;
 FIG. 4 is a top plan view of the tubing clip of FIGS. 1-3;
 FIG. 5 is a bottom plan view of our clip.

References Cited

U.S. PATENT DOCUMENTS

Re. 22,564 11/1944 Murphy 24/73 SA
 D. 228,377 9/1973 Martz D8/396
 D. 234,204 1/1975 Miller et al. D24/27
 D. 241,314 9/1976 Hug D8/395
 1,015,484 1/1912 Erickson 248/71
 2,058,733 10/1936 Smith 24/73 SA
 2,068,932 1/1937 Quarnstrom 24/73 SA
 2,128,005 8/1938 Lombard 85/5 R

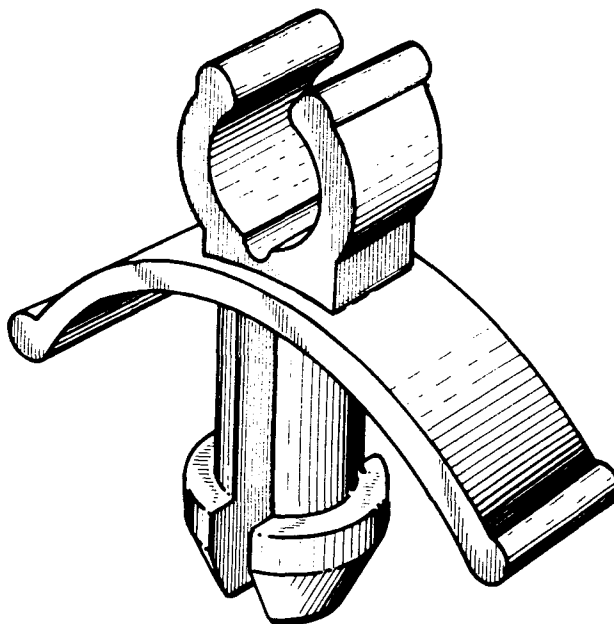


FIG. 1

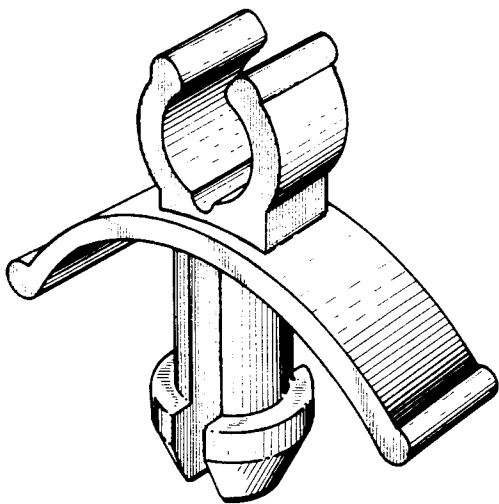


FIG. 2

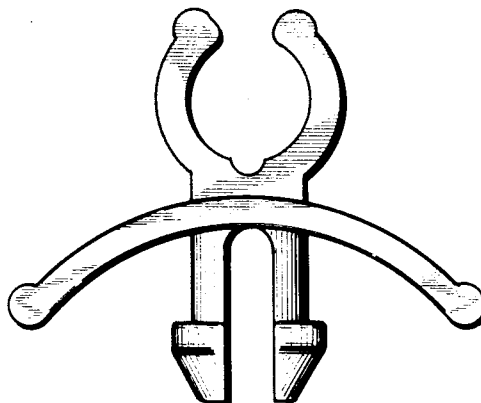


FIG. 4

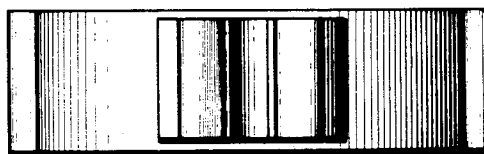


FIG. 3

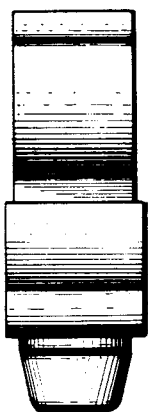


FIG. 5

