

[54] BREAST PUMP

4,263,912 4/1981 Adams 604/75

[75] Inventors: Archie W. Van Meter, Barrington;
Anthony F. Pakosta, Naperville, both
of Ill.

Primary Examiner—A. Hugo Word
Assistant Examiner—Stella M. Reid
Attorney, Agent, or Firm—Trexler, Bushnell, Giangiorgi
& Blackstone, Ltd.

[73] Assignee: Mega Corporation, Schaumburg, Ill.

[57] CLAIM

[**] Term: 14 Years

The ornamental design for a breast pump, as shown.

[21] Appl. No.: 770,983

DESCRIPTION

[22] Filed: Aug. 30, 1985

[52] U.S. Cl. D24/51

[58] Field of Search D24/51, 47, 56, 23,
D24/62, 60; D15/7; D23/14; 604/73, 74, 75,
76, 151, 142; 128/200.21, 200.22

FIG. 1 is a perspective view of a breast pump showing
our new design;

FIG. 2 is an enlarged top plan view thereof;

FIG. 3 is a side elevational view thereof;

FIG. 4 is a front elevational view thereof, the rear view
being a mirror image;

FIG. 5 is a bottom plan view thereof;

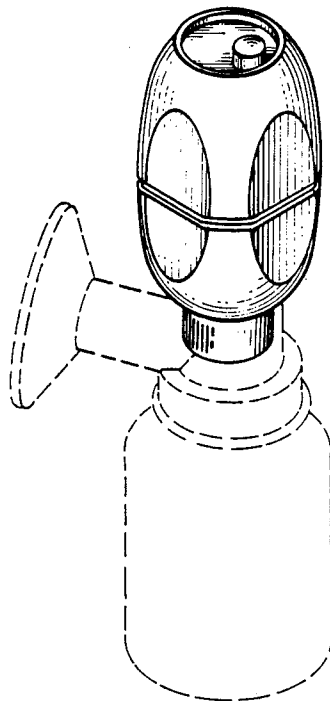
FIG. 6 is a side elevational view thereof, the opposite
side being a mirror image.

[56] References Cited

U.S. PATENT DOCUMENTS

1,719,982	7/1929	Keith	604/74
2,419,795	4/1947	Saunders	604/74
3,911,920	10/1975	Susinn	604/75

The broken line showing of the breast shield adaptor
and the bottle are for illustrative purposes only and
form no part of the claimed design.



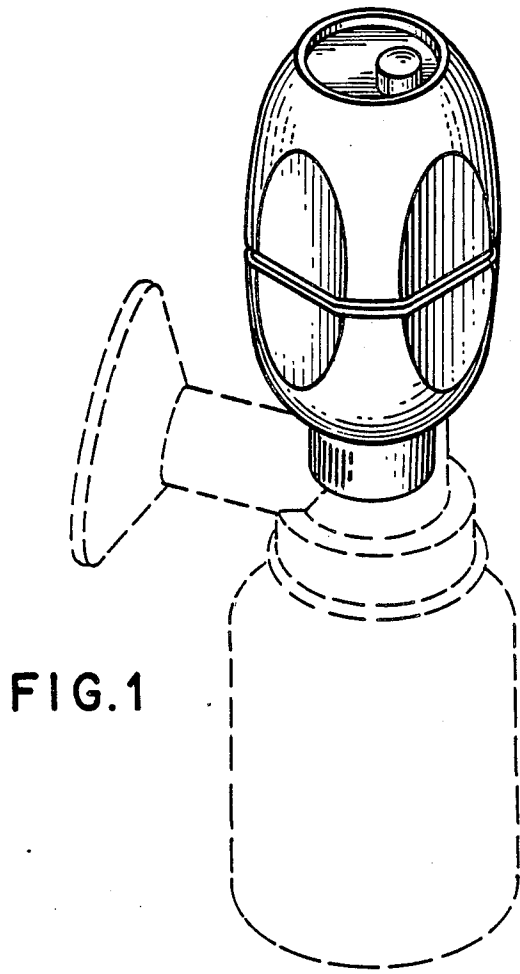


FIG. 1

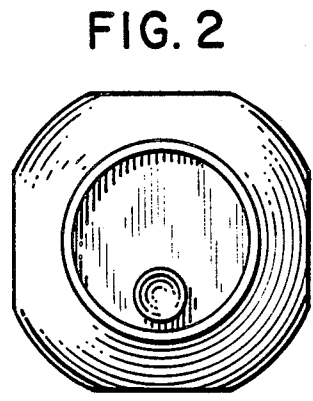


FIG. 2

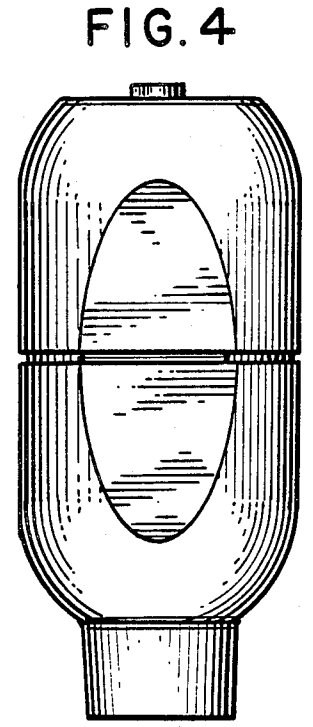


FIG. 3

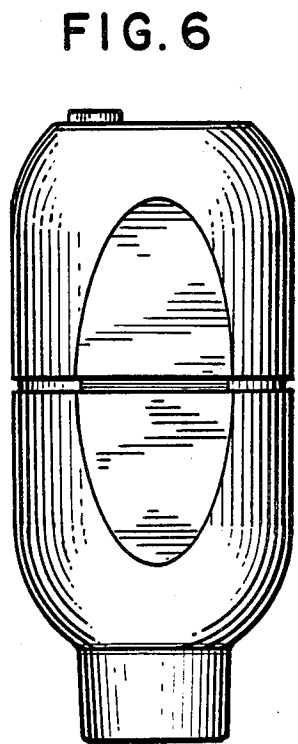


FIG. 4

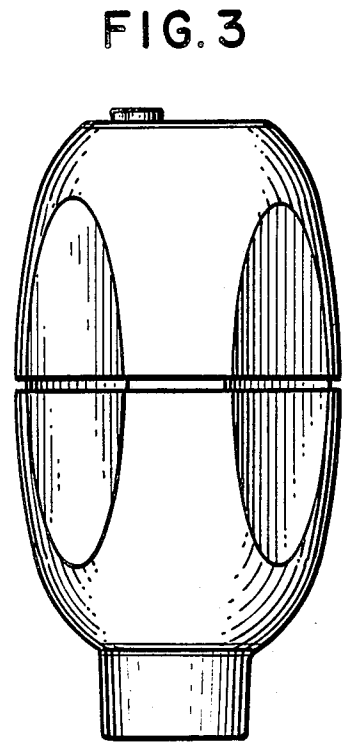


FIG. 5

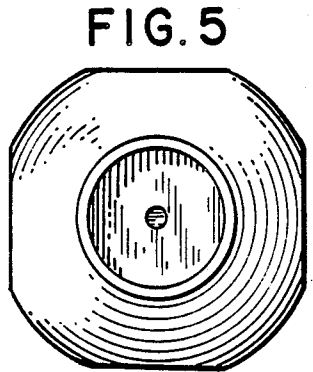


FIG. 6